



Wide Range Input

High Density

Output Adjustment Capability

Simple Or Full Function Modules

Remote On/off

Fixed Switching Frequency

Low Cost

International Safety Approvals

Parallel Operation

Remote Sense

Full Function Modules. Lambda's Full Function PH Series modules achieve 5 million hours MTBF. Active single wire current sharing coupled with a module good signal enables these low cost converters to easily accommodate N+1 and scalable power systems. They feature an auxiliary power supply output designed to power external monitoring signals, +20%/-60% output adjustability and up to 90% efficiency-ideal for all computer and leading edge communications applications.

Simple Function Modules. The PH Series Simple Function modules are the highest density converters on the market today, achieving 62W/in³. They demonstrated 5 million hours MTBF and are designed for non-redundant applications-yet they can operate in a brute force parallel mode. The high density and low cost of the PH Series Simple Function modules makes distributed power viable in virtually any application. Additional features include remote on/off and a $\pm 10\%$ output adjustment.

Similar products

		Page
RM	High Efficiency	80
PM	Low Power DC-DC	76
KW	Board Mount AC-DC	10
SM	Surface Mount, Low Power	78

DC Input 200 - 400VDC for 280V PH Module.
88 - 185VDC for 110V PH Module.
36 - 76VDC for 48V PH Module.
18 - 36VDC for 24V PH Module.

Output Voltage Adj Range .. The output voltage on all PH Series modules can be programmed by an external potentiometer or voltage source ($\pm 10\%$ on Simple Function Modules, $\pm 20\%$ - 60% on Full Function Modules). Adjustment below the -60% range is possible with the appropriate preload. Consult the P Series Application Notes for further details.

Line Regulation 0.4% or 20mV (whichever is greater) over entire input range with constant load.

Load Regulation 0.8% or 40mV (whichever is greater) from no load to full load with constant input line.

Ripple and Noise 2V & 5V, 100mV pk-pk; 12V & 15V, 150mV pk-pk; 24V, 240mV pk-pk; 28V, 280mV pk-pk.

Auxiliary Bias Supply Full Function PH Series modules have an auxiliary bias supply (8V @10mA) which can be used to power interface circuits(i.e., optocouples).

Parallel Operation Full Function PH Series modules have a single star point connection of PC terminal which enables modules to current share. Current sharing guaranteed within 5% when connected per the application notes (typically within 2%).

Series Operation All modules can be operated in series. Refer to the PH Series Application Notes for detailed requirements.

Overvoltage Protection 150%-180% on 2V and 3V models
125%-145% on 5V through 28V models.
Inverter shutdown. Input power must be recycled to restore operation.

Overload Protection Overcurrent protection will protect the module and load from overload with automatic recovery. Limit is set at $\sim 105\%$ to 140% .

Cooling PH Series modules are conduction cooled. Contact the factory for cooling recommendations.

Operating Temperature Range -20°C to +85°C base plate. -20°C to +100°C on PH300S, PH600S. Consult the factory for -40°C startup on all models.

Storage Temperature -40°C to +85°C. -40°C to +100°C on the PH300S and PH600S.

Temperature Coefficient 0.02% per °C.

Isolation Input to Output – 3kVAC.
Input to Baseplate – 2.5kVAC.

Isolation Resistance Output to Baseplate –100M Ω @ 500VDC @ 70% RH.

Inverter Good Signal Full Function PH Series modules provide an inverter good status at the IOG terminal when the module is operating within limits.

Remote On/Off Short terminal CNT to SG to turn on.
Open circuit to turn OFF.

Remote Sensing Sensing connections are provided to the regulation caused by the resistive drops in the output trace/leads. (Not available on PH50S, PH75S modules).

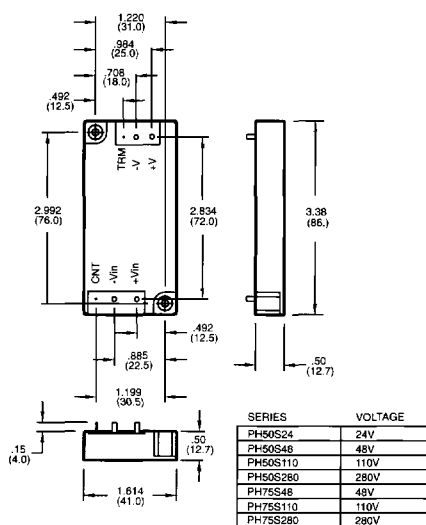
Safety Agency Approval UL1950, CSA234, EN60950 and CE Mark.

Warranty 2 years.

VOLTAGE (V)	CURRENT (A)	POWER (W)	24V INPUT	48V INPUT	MODEL 110V INPUT	280V INPUT
Full Function Inputs						
2.0	15.00	30	-	PH75F48-2	PH75F110-2	PH75F280-2
2.0	20.00	40	PH100F24-2	-	-	-
2.0	30.00	60	-	PH150F48-2	PH150F110-2	PH150F280-2
2.0	60.00	120	-	PH300F48-2	PH300F110-2	PH300F280-2
3.3	15.00	45	-	PH75F48-3	PH75F110-3	PH75F280-3
3.3	20.00	60	PH100F24-3	-	-	-
3.3	30.00	90	-	PH150F48-3	PH150F110-3	PH150F280-3
3.3	60.00	180	-	PH300F48-3	PH300F110-3	PH300F280-3
5.0	15.00	75	-	PH75F48-5	PH75F110-5	PH75F280-5
5.0	20.00	100	PH100F24-5	-	-	-
5.0	30.00	150	-	PH150F48-5	PH150F110-5	PH150F280-5
5.0	60.00	300	-	PH300F48-5	PH300F110-5	PH300F280-5
12.0	6.30	75	-	PH75F48-12	PH75F110-12	PH75F280-12
12.0	8.40	100	PH100F24-12	-	-	-
12.0	12.50	150	-	PH150F48-12	PH150F110-12	PH150F280-12
12.0	25.00	300	-	PH300F48-12	PH300F110-12	PH300F280-12
15.0	5.00	75	-	PH75F48-15	PH75F110-15	PH75F280-15
15.0	6.70	100	PH100F24-15	-	-	-
15.0	10.00	150	-	PH150F48-15	PH150F110-15	PH150F280-15
15.0	20.00	300	-	PH300F48-15	PH300F110-15	PH300F280-15
24.0	3.20	75	-	PH75F48-24	PH75F110-24	PH75F280-24
24.0	4.20	100	PH100F24-24	-	-	-
24.0	6.30	150	-	PH150F48-24	PH150F110-24	PH150F280-24
24.0	12.60	300	-	PH300F48-24	PH300F110-24	PH300F280-24
28.0	2.70	50	-	PH75F48-28	PH75F110-28	PH75F280-28
28.0	3.60	100	PH100F24-28	-	-	-
28.0	5.40	150	-	PH150F48-28	PH150F110-28	PH150F280-28
28.0	10.80	300	-	PH300F48-28	PH300F110-28	PH300F280-28
Simple Function Inputs						
3.3	50.00	181.5	-	PH300S48-3	-	PH300S280-3
3.3	100.00	330	-	-	-	PH600S280-3
5.0	10.00	50	PH50S24-5	PH50S48-5	PH50S110-5	PH50S280-5
5.0	15.00	75	-	PH75S48-5	PH75S110-5	PH75S280-5
5.0	20.00	100	-	PH100S48-5	-	PH100S280-5
5.0	30.00	150	-	PH150S48-5	PH150S110-5	PH150S280-5
5.0	50.00	275	-	PH300S48-5	-	PH300S280-5
5.0	100.00	500	-	-	-	PH600S280-5
12.0	4.20	50	PH50S24-12	PH50S48-12	PH50S110-12	PH50S280-12
12.0	6.30	75	-	PH75S48-12	PH75S110-12	PH75S280-12
12.0	8.40	100	-	PH100S48-12	-	PH100S280-12
12.0	12.50	150	-	PH150S48-12	PH150S110-12	PH150S280-12
12.0	25.00	300	-	PH300S48-12	-	PH300S280-12
12.0	50.00	600	-	-	-	PH600S280-12
15.0	3.40	50	PH50S24-15	PH50S48-15	PH50S110-15	PH50S280-15
15.0	5.00	75	-	PH75S48-15	PH75S110-15	PH75S280-15
15.0	6.70	100	-	PH100S48-15	-	PH100S280-15
15.0	10.00	150	-	PH150S48-15	PH150S110-15	PH150S280-15
15.0	20.00	300	-	PH300S48-15	-	PH300S280-15
15.0	40.00	600	-	-	-	PH600S280-15
24.0	2.10	50	PH50S24-24	PH50S48-24	PH50S110-24	PH50S280-24
24.0	3.20	75	-	PH75S48-24	PH75S110-24	PH75S280-24
24.0	4.20	100	-	PH100S48-24	-	PH100S280-24
24.0	6.30	150	-	PH150S48-24	PH150S110-24	PH150S280-24
24.0	12.50	300	-	PH300S48-24	-	PH300S280-24
24.0	25.00	600	-	-	-	PH600S280-24
28.0	1.80	50	PH50S24-28	PH50S48-28	PH50S110-28	PH50S280-28
28.0	2.70	75	-	PH75S48-28	PH75S110-28	PH75S280-28
28.0	3.60	100	-	PH100S48-28	-	PH100S280-28
28.0	5.40	150	-	PH150S48-28	PH150S110-28	PH150S280-28
28.0	10.71	300	-	PH300S48-28	-	PH300S280-28
28.0	21.43	600	-	-	-	PH600S280-28
48.0	6.25	300	-	PH300S48-48	-	PH300S280-48
48.0	12.50	600	-	-	-	PH600S280-48

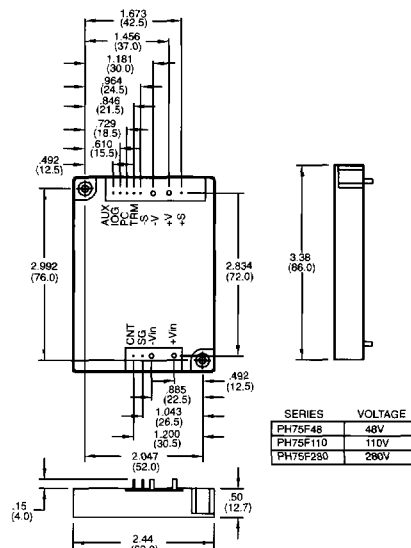


PH 50S/75S



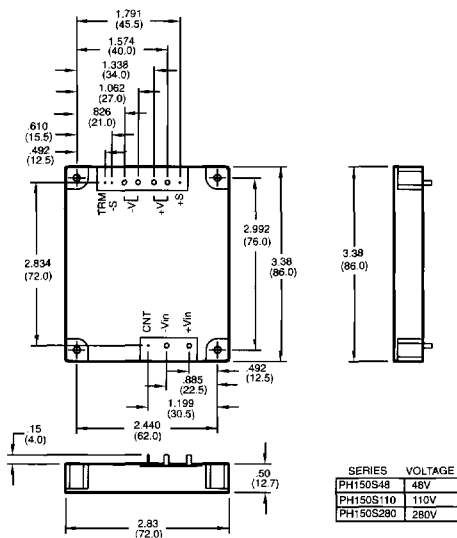
- NOTE:
1. M3 TAPPED HOLES FOR CUSTOMER CHASSIS MOUNTING 2 PLS.
 2. SCREWS MUST NOT PROTRUDE INTO PWR MODULE BY MORE THAN (12.7) MM. (BACK SIDE FOR HEAT SINK).
 3. DIMENSIONS ARE IN INCHES EXCEPT DIMENSIONS () ARE IN MM.
 4. WEIGHT: 100 GRAMS

PH 75F



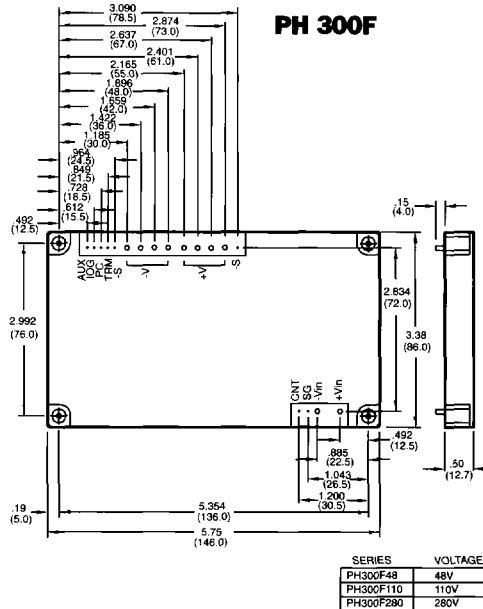
- NOTE:
1. M3 TAPPED HOLES FOR CUSTOMER CHASSIS MOUNTING 2 PLS.
 2. SCREWS MUST NOT PROTRUDE INTO PWR MODULE BY MORE THAN (12.7) MM. (BACK SIDE FOR HEAT SINK).
 3. DIMENSIONS ARE IN INCHES EXCEPT DIMENSIONS () ARE IN MM.
 4. INPUT AND OUTPUT ARE 2. INPUT AND OUTPUT ARE 0.6.
 5. WEIGHT: 150 GRAMS

PH 150S



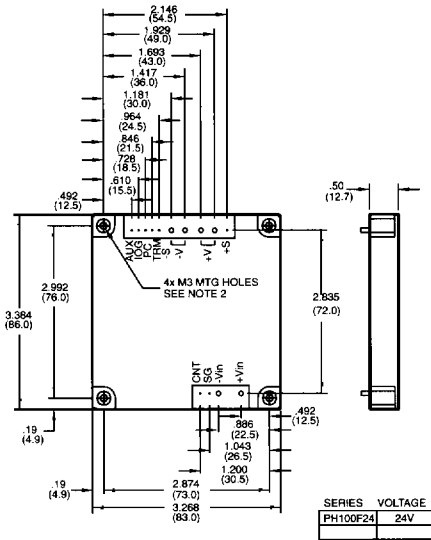
- NOTE:
1. DIMENSIONS ARE IN INCHES EXCEPT DIMENSIONS () ARE IN MM.
 2. 4x M3 TAPPED HOLES FOR CUSTOMER CHASSIS MOUNTING.
 3. SCREWS MUST NOT PROTRUDE INTO PWR MODULE BY MORE THAN (12.7) MM. (BACK SIDE FOR HEAT SINK).
 4. WEIGHT: 150 GRAMS

PH 300F



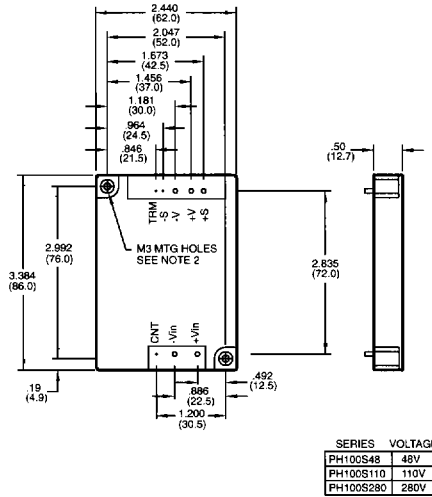
- NOTE:
1. M3 TAPPED HOLES FOR CUSTOMER CHASSIS MOUNTING 4 PLS.
 2. SCREWS MUST NOT PROTRUDE INTO PWR MODULE BY MORE THAN (12.7) MM. (BACK SIDE FOR HEAT SINK).
 3. DIMENSIONS ARE IN INCHES EXCEPT DIMENSIONS () ARE IN MM.
 4. INPUT AND OUTPUT ARE 2. INPUT AND OUTPUT ARE 0.6.
 5. WEIGHT: 250 GRAMS

PH 100F/150F



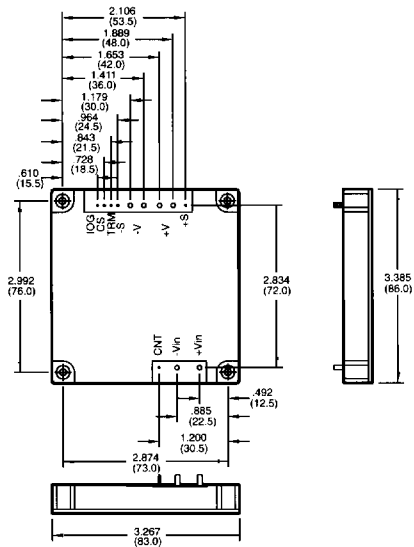
- NOTES:
1. DIMENSIONS ARE IN INCHES EXCEPT DIMENSIONS () ARE IN MM.
 2. 4x M3 TAPPED HOLES FOR CUSTOMER MOUNTING.
 3. SCREWS MUST NOT PROTRUDE INTO P.S. BY MORE THAN 12.7
 4. WEIGHT: 180 GRAMS

PH 100S



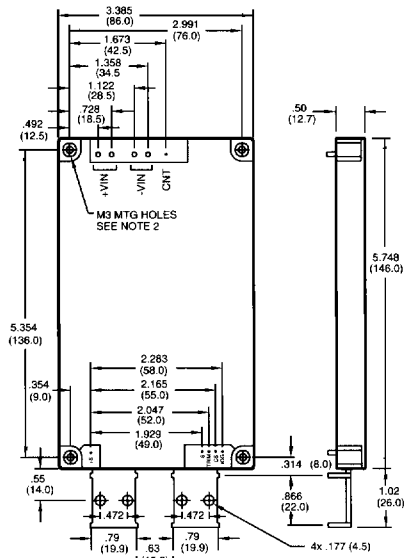
- NOTES:
1. DIMENSIONS ARE IN INCHES EXCEPT DIMENSIONS () ARE IN MM.
 2. 2x M3 TAPPED HOLES FOR CUSTOMER MOUNTING.
 3. SCREWS MUST NOT PROTRUDE INTO P.S. BY MORE THAN 12.7
 4. WEIGHT: 150 GRAMS

PH 300S



- NOTE:
1. M3 TAPPED HOLES FOR CUSTOMER CHASSIS MOUNTING 2 PLS.
 2. SCREWS MUST NOT PROTRUDE INTO PWR MODULE BY MORE THAN (12.7) MM. (BACK SIDE FOR HEAT SINK).
 3. DIMENSIONS ARE IN INCHES EXCEPT DIMENSIONS () ARE IN MM.
 4. INPUT AND OUTPUT PINS ARE (2), INPUT AND OUTPUT PINS ARE (0.6).
 5. WEIGHT: 200 GRAMS.

PH 600S



- NOTES:
1. DIMENSIONS ARE IN INCHES EXCEPT DIMENSIONS () ARE IN MM.
 2. 4x M3 TAPPED HOLES FOR CUSTOMER MOUNTING.
 3. SCREWS MUST NOT PROTRUDE INTO P.S. BY MORE THAN 12.7.
 4. WEIGHT: 300 GRAMS.